

A

A

B

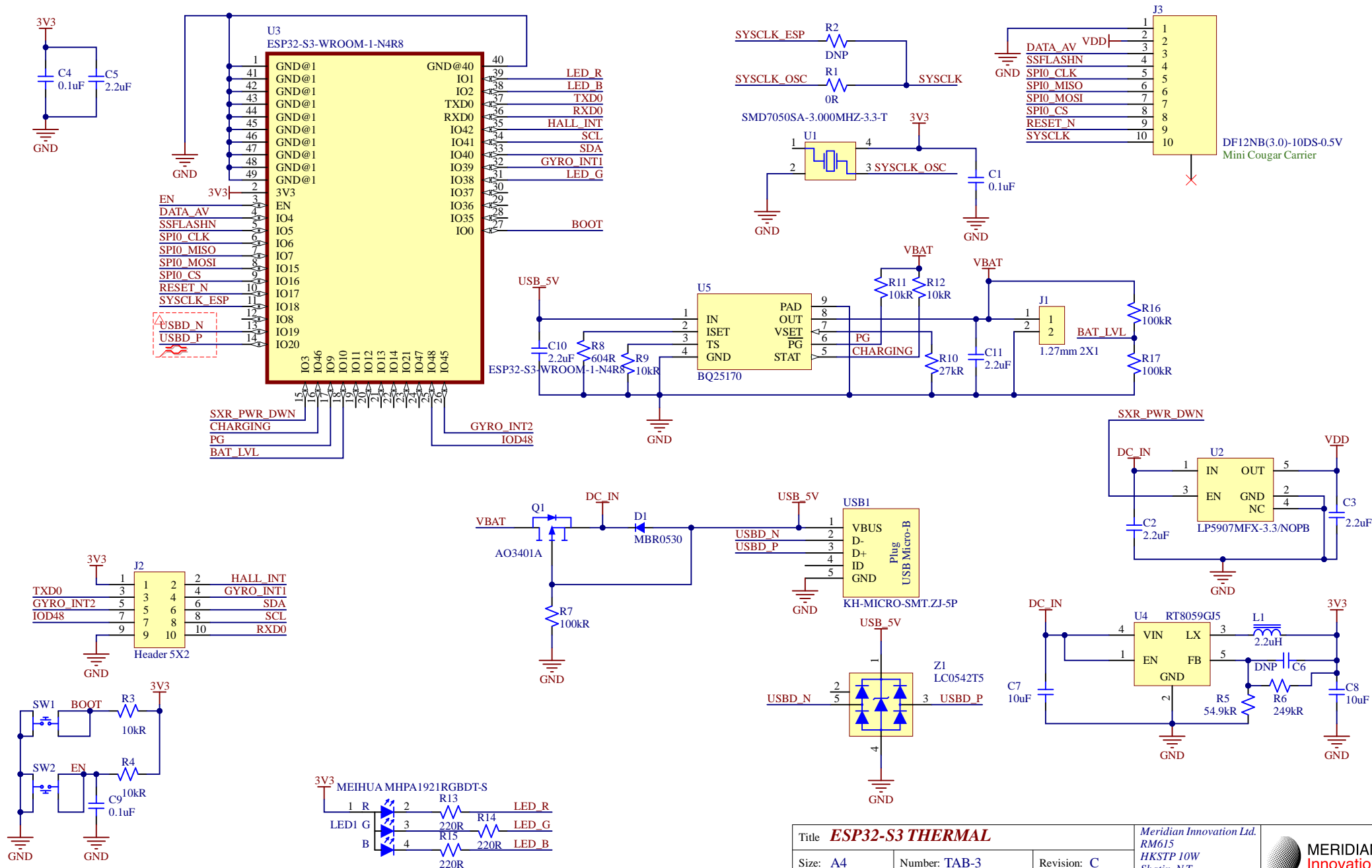
B


C

C

D

D



Title ESP32-S3 THERMAL			Meridian Innovation Ltd. RM615 HKSTP 10W Shatin, N.T. Hong Kong
Size: A4	Number: TAB-3	Revision: C	
Date: 5/15/2023	Drawn By: Ted Cheung	Sheet 1 of 1	